

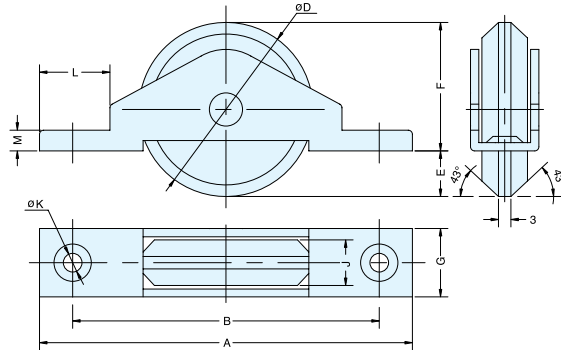
SLIDING DOOR ROLLER

STAINLESS
304
STEEL

FMS, FDS, FES



- Smooth and quiet movement with plastic rollers.
- FES and FMS are equipped with ball bearings providing easy operating even with heavy load.



Part Name	Series	Material	Finish
Bracket, Pin	FDS, FES, FMS	304 Stainless Steel	Plain
Wheel	FDS, FES	Polyacetal	White
	FMS	MC Nylon	Blue

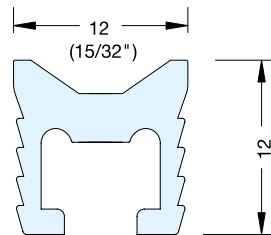
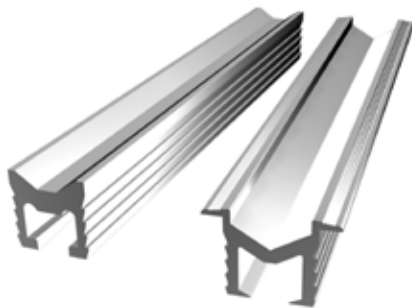
Item No.	A	B	D	E	F	G	J	K	L	M	Load Capacity (kg) / per 2pcs	Weight (g)	Box (pcs)	Carton (pcs)
FDS-0259	60 (2-23/64")	50	25	5	20	11	7	3	10	1.2	15 (33 lbs)	15	20	200
FDS-0339	74 (2-29/32")	63	33	5.5	27.5	13	8	4	12	1.5	25 (55 lbs)	25		
FES-0339	68 (2-43/64")	57	33	7	26	13	9	4	14	5	50 (110 lbs)	35	12	120
FES-0429	92 (3-5/8")	76	42	6	36	14	9	4	18	5	70 (154 lbs)	60	4	40
FMS-0509	110 (4-21/64")	85	50	8	42	17	11	5	19	5	100 (220 lbs)	95		

"V" RAIL FOR SLIDING DOOR

ALUMINUM

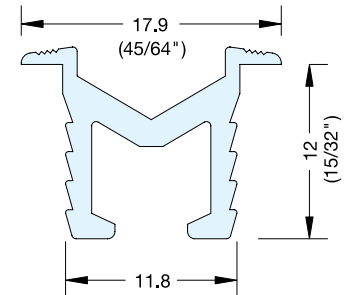
AV

- Bottom rail for FMS, FDS, FES Rollers.



Item No.: AVF-12S/1820

Applicable Rollers: FDS-0259, FDS-0339
FES-0339, FES-0429
FMS-0509



Item No.: AVED-12S/1820

Applicable Rollers: FDS-0259, FDS-0339
FES-0339, FES-0429

Item No.	Length	Weight (g)	Box (pcs)	Carton (pcs)	Material	Finish
AVF-12S/1820	1820 (71-5/8")	256	1	10	Aluminum	Anodized
AVED-12S/1820		309				